

Temperature & Humidity Monitor

model 00275RM



CONTENTS

Package Contents	2	Add-on Wired Sensors	7
Product Registration	2	Troubleshooting	7
Features & Benefits.....	3	Specifications.....	8
Setup	4	FCC Information	8
Placement Guidelines	5	Customer Support	9
Using the Monitor	6	Warranty.....	9

Questions? Contact Customer Support at
(877) 221-1252 or visit www.AcuRite.com.

SAVE THIS MANUAL FOR FUTURE REFERENCE.

ACURITE®

Congratulations on your new AcuRite product. To ensure the best possible product performance, please read this manual in its entirety and retain it for future reference.

Package Contents

1. Temperature & Humidity Monitor
2. Mounting hardware
3. Instruction manual

IMPORTANT

PRODUCT MUST BE REGISTERED
TO RECEIVE WARRANTY SERVICE

PRODUCT REGISTRATION

Register online
to receive 1 year
warranty protection

www.AcuRite.com

SHOP NOW

SUPPORT

Support Forum

Archived Products

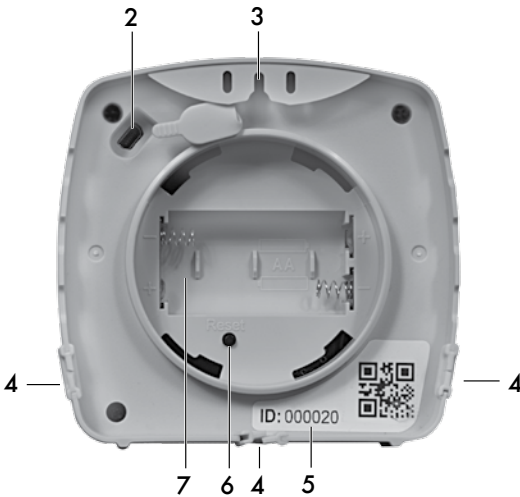
▶ Register a Product

Features & Benefits



FRONT

- 1. Wireless Signal Indicator**
Flashes when data is being wirelessly transmitted.



BACK

- 2. Sensor Input**
Plug-in for additional sensors (sold separately).
- 3. Integrated Keyhole**
For easy wall mounting.
- 4. Wired Sensor Retention Slot**
Simplifies cord management when using add-on wired sensors (sold separately).
- 5. Monitor ID**
Alphanumeric ID used to identify the Monitor during system configuration.
- 6. Reset Button**
Resets sensor transmission.
- 7. Battery Compartment**
- 8. Battery Compartment Cover**
- 9. Mounting Hardware**
Includes drywall anchor and screw.



	Item	Qty	Diameter	Length
	Screw	1	#6	3/4"
	Anchor	1	#6	3/4"

Monitor Setup

1 Install or Replace Batteries

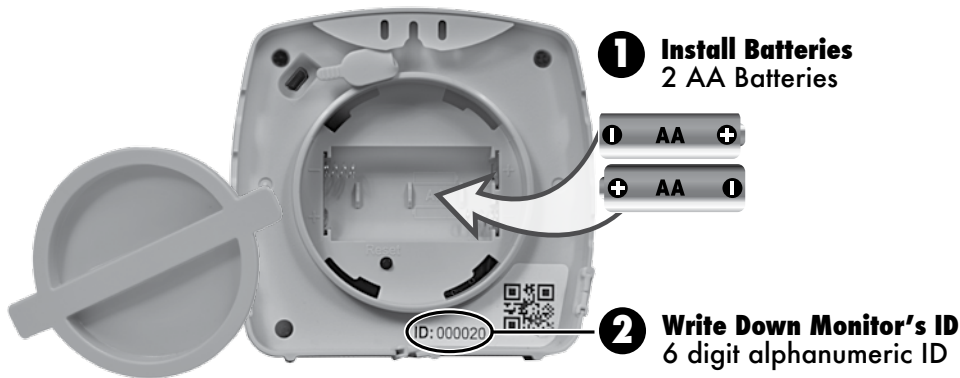
Batteries **MUST** be installed for this product to operate. AcuRite recommends high quality alkaline or lithium batteries for the best product performance. Heavy duty or rechargeable batteries are not recommended.

1. Twist off the battery compartment cover.
2. Insert 2 x AA batteries into the battery compartment, as shown. Follow the polarity (+/-) diagram in the battery compartment.
3. Replace the battery cover.

2 Write Down the Monitor's ID

Record the unique 6-digit alphanumeric ID, located on the back of the Monitor. This unique ID may be referenced for connectivity functions.

ID: _____



The Monitor requires lithium batteries in low temperature conditions. Cold temperatures can cause alkaline batteries to function improperly. Use lithium batteries in the Monitor for temperatures below -4°F / -20°C .

LITHIUM BATTERIES -40°F (-40°C) (70°C) **158°F**

ALKALINE BATTERIES -4°F (-20°C) (70°C) **158°F**



PLEASE DISPOSE OF OLD OR DEFECTIVE BATTERIES IN AN ENVIRONMENTALLY SAFE WAY AND IN ACCORDANCE WITH YOUR LOCAL LAWS AND REGULATIONS.

BATTERY SAFETY: Clean the battery contacts and also those of the device prior to battery installation. Remove batteries from equipment which is not to be used for an extended period of time. Follow the polarity (+/-) diagram in the battery compartment. Promptly remove dead batteries from the device. Dispose of used batteries properly. Only batteries of the same or equivalent type as recommended are to be used. DO NOT incinerate used batteries. DO NOT dispose of batteries in fire, as batteries may explode or leak. DO NOT mix old and new batteries or types of batteries (alkaline/standard). DO NOT use rechargeable batteries. DO NOT recharge non-rechargeable batteries. DO NOT short-circuit the supply terminals.

Placement for Maximum Accuracy

AcuRite products are sensitive to surrounding environmental conditions. Proper placement of the Monitor is critical to the accuracy and performance of the product.



Monitor Placement

The Monitor is designed for indoor or outdoor use. The Monitor stands upright for tabletop use or is wall-mountable.

Place the Monitor outside to observe outdoor conditions. The Monitor is water-resistant and designed for general outdoor use.

However, to extend its life, place the Monitor in an area protected from direct weather elements.

Hang the Monitor using the integrated keyhole in a suitable location, like a well-covered tree branch. The best location is 4 to 8 feet (1.2 - 2.4 meters) above ground with permanent shade and plenty of fresh air to circulate around the Monitor.

Important Placement Guidelines

- Monitor must be within 330 feet (100 meters) of companion unit (sold separately).

MAXIMIZE WIRELESS RANGE

Place Monitor away from large metallic items, thick walls, metal surfaces, or other objects that may limit wireless communication.

PREVENT WIRELESS INTERFERENCE

Place Monitor at least 3 feet (90 cm) away from electronic devices (TV, computer, microwave, radio, etc.).

LOCATE AWAY FROM HEAT SOURCES

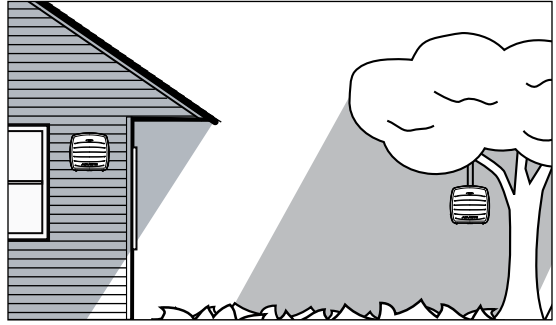
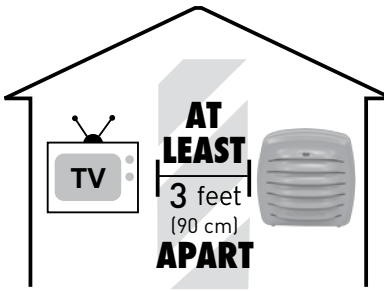
To ensure accurate temperature measurement, place Monitor out of direct sunlight and away from any heat sources.

LOCATE AWAY FROM HUMIDITY SOURCES

To ensure accurate humidity measurement, locate Monitor away from humidity sources. Avoid installing the Monitor near indoor pools, spas, or other bodies of water. Water sources may impact humidity accuracy.

LOCATE AWAY FROM SPRINKLER HEADS

DO NOT install the Monitor where it will be sprayed by a sprinkler system. This may force water inside the Monitor.



For more information, visit our Knowledge Base at <http://www.AcuRite.com/kbase>

Basic Setup is Complete

The Monitor is now ready for use, and may be synchronized with a companion unit.

OPERATION

Using the Monitor

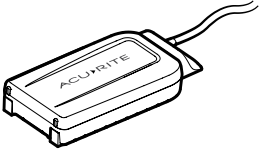
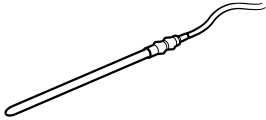
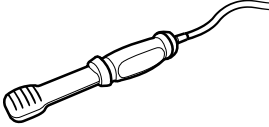
The Monitor features built-in temperature and humidity sensors, to view current conditions in the location where the Monitor is placed.

Expand the System

The Monitor can be expanded to track additional conditions using compatible wired sensors (optional; sold separately) that simply plug into the Monitor. Wired sensors feature an extra-long cord, perfect for installing the sensors in hard-to-reach places.

Compatible digital displays, wired sensors and companion units are available at: www.AcuRite.com

Add-on Wired Sensors

Add-On Sensor	Perfect for:
 <p data-bbox="197 375 370 456">Water Detector with audible alert Model 06010RM</p>	<ul data-bbox="529 240 937 428" style="list-style-type: none"> • Basement flooding • Roof leaks • Leaky appliances • Sump pump failure • Tracking high or low water level
 <p data-bbox="93 613 476 672">Liquid & Soil Temperature Sensor Model 06011RM</p>	<ul data-bbox="529 509 937 651" style="list-style-type: none"> • Pool, spa, pond or fountain temperature • Preventing frozen pipes • Seeding, potting and gardening
 <p data-bbox="75 867 493 948">Spot Check Temperature & Humidity Sensor Model 06012RM</p>	<ul data-bbox="529 721 987 927" style="list-style-type: none"> • Monitoring conditions in hard to reach places (attic, basement, etc.) • Pet areas • Evaluating HVAC indoor coverage • Monitoring conditions in nursery or child's room

Troubleshooting

Problem	Possible Solution
<p data-bbox="114 1138 302 1230">Inaccurate temperature or humidity</p>	<ul data-bbox="384 1127 1001 1240" style="list-style-type: none"> • Verify the Monitor is placed away from any heat sources or vents (see page 5). • Verify the Monitor is positioned away from moisture sources (see page 5).

If your AcuRite product does not operate properly after trying the troubleshooting steps, visit www.AcuRite.com or call (877) 221-1252 for assistance.

Care & Maintenance

Clean with a soft, damp cloth. Do not use caustic cleaners or abrasives.

Specifications

TEMPERATURE RANGE	-40°F to 158°F; -40°C to 70°C
HUMIDITY RANGE	1% to 99% RH
WIRELESS RANGE	330ft / 100m depending on home construction materials
OPERATING FREQUENCY	433 MHz
POWER	2 x AA alkaline or lithium batteries

FCC Information

This device complies with part 15 of FCC rules. Operation is subject to the following two conditions:

1- This device may NOT cause harmful interference, and

2- This device must accept any interference received, including interference that may cause undesired operation.

This equipment has been tested and found to comply with the limits for a Class B digital device, pursuant to Part 15 of the FCC rules. These limits are designed to provide reasonable protection against harmful interference in a residential installation. This equipment generates, uses and can radiate radio frequency energy and, if not installed and used in accordance with the instructions, may cause harmful interference to radio communications. However, there is no guarantee that interference will not occur in a particular installation. If this equipment does cause harmful interference to radio or television reception, which can be determined by turning the equipment off and on, the user is encouraged to try to correct the interference by one or more of the following measures:

- Reorient or relocate the receiving antenna.
- Increase the separation between the equipment and the receiver.
- Connect the equipment into an outlet on a circuit different from that to which the receiver is connected.
- Consult the dealer or an experienced radio/TV technician for help.

NOTE: The manufacturer is not responsible for any radio or TV interference caused by unauthorized modifications to this equipment. Such modifications could void the user authority to operate the equipment.

This device complies with Industry Canada licence-exempt RSS standard(s).

Operation is subject to the following two conditions:

(1) This device may not cause interference, and

(2) This device must accept any interference received, including interference that may cause undesired operation of the device.

Customer Support

AcuRite customer support is committed to providing you with best-in-class service. **For assistance**, please have the model number of this product available and contact us in any of the following ways:



(877) 221-1252



info@chaney-inst.com

24/7 support at www.AcuRite.com

- ▶ Installation Videos
- ▶ Instruction Manuals
- ▶ Replacement Parts
- ▶ Register your Product
- ▶ Support User Forum
- ▶ Submit Feedback & Ideas

IMPORTANT

PRODUCT MUST BE REGISTERED
TO RECEIVE WARRANTY SERVICE

PRODUCT REGISTRATION

Register online
to receive 1 year
warranty protection

www.AcuRite.com

FOR NOW

SUPPORT

Support Forum

Archived Products

▶ Register a Product

Limited One Year Warranty

At AcuRite, we proudly uphold our commitment to quality technology. Chaney Instrument Co. warrants that all products it manufactures to be of good material and workmanship, and to be free of defects when properly installed and operated for a period of one year from the date of purchase.

We recommend that you visit us at www.AcuRite.com for the fastest way to register your product. However, product registration does not eliminate the need to retain your original proof of purchase in order to obtain warranty benefits.

Chaney Instrument Co. warrants that all products it manufactures to be of good material and workmanship, and to be free of defects when properly installed and operated for a period of one year from the date of purchase. Remedy for breach of this warranty is limited to repair or replacement of the defective item(s). Any product which, under normal use and service, is proven to breach the warranty contained herein within ONE YEAR from date of sale will, upon examination by Chaney, and at its sole option, be repaired or replaced by Chaney. Transportation costs and charges for returned goods shall be paid for by the purchaser. Chaney hereby disclaims all responsibility for such transportation costs and charges. This warranty will not be breached, and Chaney will give no credit for products it manufactures which have received normal wear

and tear, been damaged (including by acts of nature), tampered, abused, improperly installed, damaged in shipping, or repaired or altered by others than authorized representatives of Chaney.

The above-described warranty is expressly in lieu of all other warranties, express or implied, and all other warranties are hereby expressly disclaimed, including without limitation the implied warranty of merchantability and the implied warranty of fitness for a particular purpose. Chaney expressly disclaims all liability for special, consequential or incidental damages, whether arising in tort or by contract from any breach of this warranty. Some states do not allow the exclusion or limitation of incidental or consequential damages, so the above limitation or exclusion may not apply to you. Chaney further disclaims all liability from personal injury relating to its products to the extent permitted by law. By acceptance of any of Chaney's products, the purchaser assumes all liability for the consequences arising from their use or misuse. No person, firm or corporation is authorized to assume for Chaney any other liability in connection with the sale of its products. Furthermore, no person, firm or corporation is authorized to modify or waive the terms of this paragraph, and the preceding paragraph, unless done in writing and signed by a duly authorized agent of Chaney. This warranty gives you specific legal rights, and you may also have other rights which vary from state to state.

For in-warranty claims: Chaney Instrument Co.
965 Wells St., Lake Geneva, WI 53147

ACU>RITE®



Weather
Stations



Temperature
& Humidity



Weather
Alert Radio



Kitchen
Thermometers
& Timers



Clocks

It's More than Accurate, it's ACU>RITE.

AcuRite offers an extensive assortment of precision instruments, designed to provide you with information you can depend on to Plan your day with confidence™.

www.AcuRite.com

©Chaney Instrument Co. All rights reserved. AcuRite is a registered trademark of the Chaney Instrument Co., Lake Geneva, WI 53147. All other trademarks and copyrights are the property of their respective owners. AcuRite uses patented technology. Visit www.AcuRite.com/patents for details.