

# Mounting Pole Kit

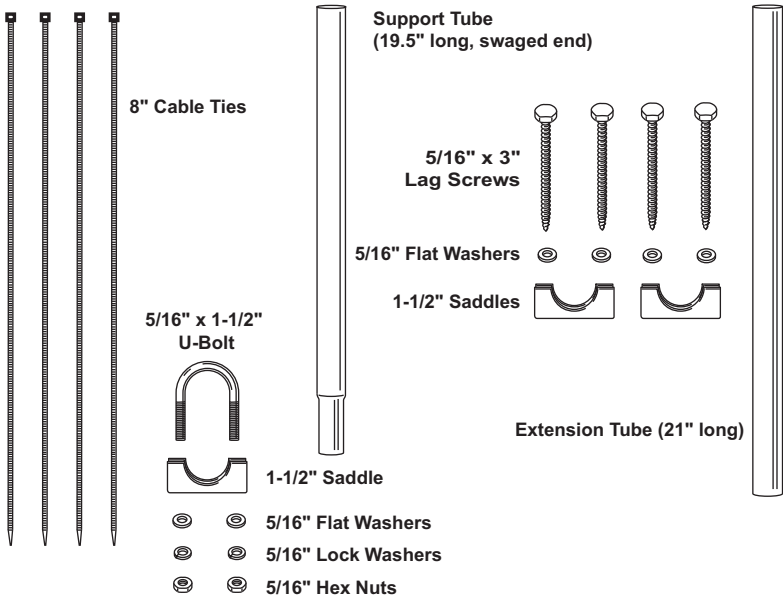
## Installation Manual

---

This manual covers use of the Mounting Pole Kit with the Integrated Sensor Suite (ISS) of the Vantage Pro2™ system. The kit can also be used with other Davis Instruments stations, applying the principles shown here with the ISS.

### Components

The mounting kit includes the following:



### Tools and Materials Needed

In addition to the hardware shown above, you may need some of the following tools and materials:

- Adjustable wrench
- Drill with 1/4" (6 mm) bit

### Secure the ISS to the Support Tube

The support tube is 19-1/2" (0.5 m) long, and has a swaged end. After you secure one or both sides of your ISS to the support tube, this end will be

---

## Mount the Extension Tube

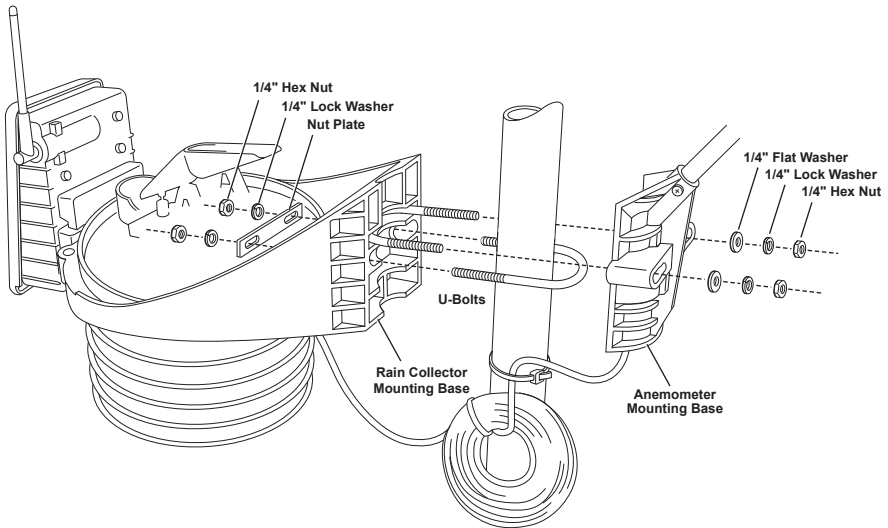
---

inserted into the top of the extension tube. Make sure the swaged end of the support tube is pointing downward as you secure the ISS (or other station). The ISS comes with U-bolts, washers, and hex nuts for the purpose of mounting it on a pole. Consult your ISS Installation Manual for detailed instructions.

---

**Note:** Remember, when mounting both sides together, that whichever side of the ISS is mounted first, the U-bolt from the opposite side **ALSO** must be placed around the pole before you tighten anything. (If it is not, there is no way to slide it in later.)

---



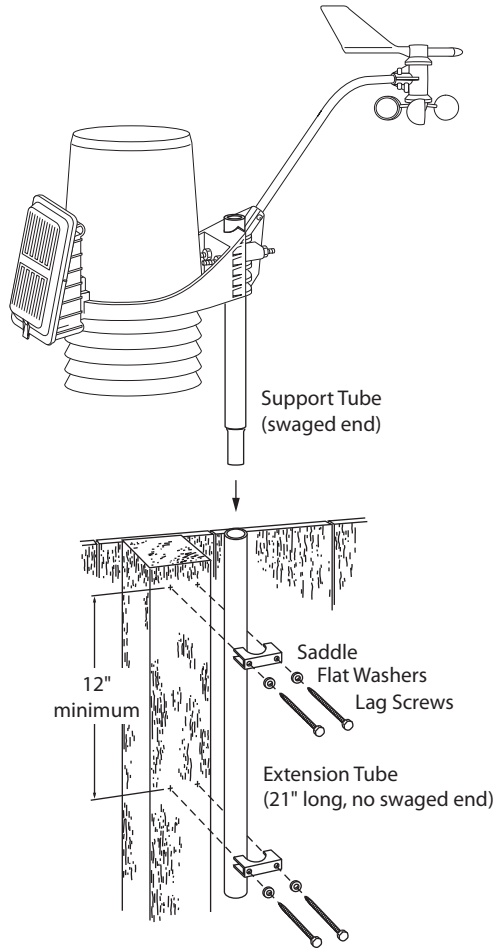
If you wish to put the anemometer higher than the rain collector side of your ISS on the support tube, follow the instructions in the ISS Installation Manual for mounting each side *separately*.

The anemometer arm must point northward or you will have to re-orient the wind vane after mounting. (As shown in Appendix C in the ISS manual.)

## Mount the Extension Tube

The extension tube is 21" long (and does not have a swaged end.)

1. In a fence-post or other flat vertical surface, drill two holes, using one of the 1-1/8" saddles as a guide.
2. Drill another set of holes at least 12" (0.3 m) away from the first holes.
3. Using the 5/16" flat washers and lag screws, secure the saddles against the extension tube and into the post.



4. Tighten the lag screws until the tube will not slide up or down no matter how hard you try to move it.

## Install the Support Tube on the Extension Tube

1. Insert the swaged end of the support tube in the open top of the extension tube.
2. Place the U-bolt provided in the mounting pole kit around the tubes where they overlap. Secure with flat washers, lock washers, and hex nuts as shown in the illustration.
3. Tighten the hex nuts quite firmly, until the U-bolt begins to dent the tubing slightly. We recommend the use of a torque wrench with 25 lb-ft of pressure to fasten the hex nuts.

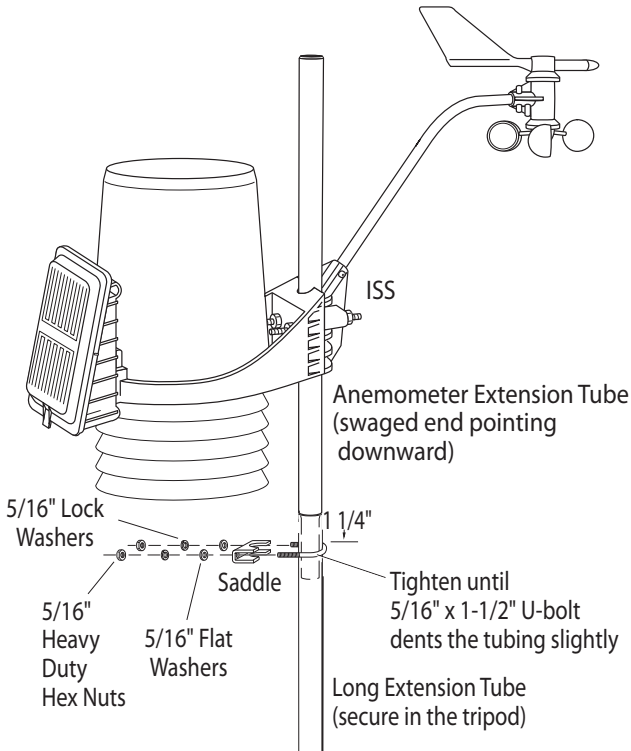
---

The tube should be fastened as firmly as possible so that the tube and station won't wobble or tilt, causing the station to create and log erroneous data.

---

**Note:** Do not use over 25 lb-ft torque wrench, it may damage the U-bolts.

---



4. Use the 8" cable ties to secure cable as needed.

---

Product Number: #7717

Davis Instruments Part Number: 7395.298  
Rain Collector Heater Installation Manual  
Rev. C (12/10/08)

This product complies with the essential protection requirements of the EC EMC Directive 2004/108/EC.

© Davis Instruments Corp. 2008. All rights reserved.

**Davis**  
**Davis Instruments**

3465 Diablo Avenue, Hayward, CA 94545-2778 U.S.A.  
510-732-9229 • Fax: 510-732-9188  
E-mail: [info@davisnet.com](mailto:info@davisnet.com) • [www.davisnet.com](http://www.davisnet.com)